



Wire Light Holder
IDH-4-1



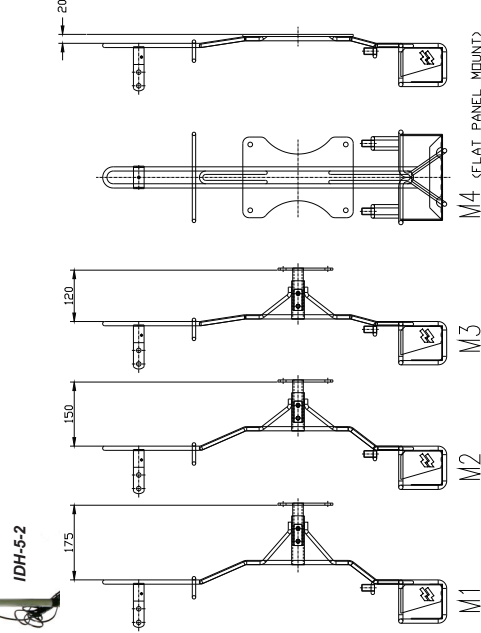
IDH-2-1



Combo Shovel
IDH-30-1

2Kg (4lb) Fibreglass
Handled Axe

Telescopic Light
or Shower Pole
IDH-5-2



Axe & Shovel NOT included

Standard Features:

- Australian designed & manufactured
- Handle retaining pin & padlock
- Rubber strap
- Zinc plated & powder coated
- Garage storage bracket
- Choice of 4 (off-set) models
- Provision for mounting 4x4 Equip's Free Standing Light or Shower Pole
- Provision for mounting 4x4 Equip's Combo Shovel
- Divider in base to have the option to carry an axe or shovel on their own

Axe & Shovel Holder Vehicle Matrix for OEM Rim & Tyre

Please Note:
Due to manufacturer variations, confirm off-set (see over) before ordering.

| Make | Model | Series | Steel Rims | Alloy Rims | Studs | Shovel Holder Model | Mounting Plate - Part No |
|------------|----------------------|--|------------|------------|-------|---------------------|--------------------------|
| Holden | Frontiera | all | ✓ | | 6 | M3 | IDH-1-40 |
| | Jackaroo | all | ✓ | | 6 | M3 | IDH-1-40 |
| | Jackaroo | all | | ✓ | 6 | M2 | IDH-1-40 |
| Jeep | Wrangler | all | ✓ | ✓ | 5 | M3 | IDH-1-41 |
| Land Rover | Defender | all | ✓ | | 5 | M3 | IDH-1-42 |
| | Defender | all | | ✓ | 5 | M3 | IDH-1-43 |
| | Discovery | I | ✓ | | 5 | M3 | IDH-1-42 |
| | Discovery | I | | ✓ | 5 | M3 | IDH-1-43 |
| | Discovery | II | ✓ | ✓ | 5 | M3 | IDH-1-42 |
| | Freelander | all | ✓ | ✓ | 5 | M3 | IDH-1-41 |
| Mitsubishi | Pajero | NH-NL | ✓ | | 6 | M3 | IDH-1-40 |
| | Pajero | NH-NL | | ✓ | 6 | M2 | IDH-1-40 |
| | Pajero | NM-NP | | ✓ | 6 | M3 | IDH-1-40 |
| Nissan | Patrol GQ | all | ✓ | ✓ | 6 | M2 | IDH-1-40 |
| | Patrol GU I, II, III | | ✓ | ✓ | 6 | M2 | IDH-1-40 |
| | Patrol GU IV | | ✓ | | 6 | M2 | IDH-1-40 |
| | Patrol GU IV | | | ✓ | 6 | M1 | IDH-1-40 |
| Suzuki | Vitara | all | ✓ | | 5 | M3 | IDH-1-41 |
| | Grand Vitara | all | | ✓ | 5 | M3 | IDH-1-41 |
| | Siera | all | ✓ | | 5 | M3 | IDH-1-41 |
| Toyota | Prado | all | ✓ | | 6 | M3 | IDH-1-40 |
| | Prado | all | | ✓ | 6 | M2 | IDH-1-40 |
| | Troop Carrier | | ✓ | | 6 | M3 | IDH-1-40 |
| | Troop Carrier | | ✓ | | 5 | M3 | IDH-1-40 |
| | Troop Carrier | | | ✓ | 5 | M2 | IDH-1-40 |
| | Rav 4 | all | ✓ | ✓ | 5 | M3 | IDH-1-41 |
| Hummer | H3 | all | | ✓ | 5 | M3 | IDH-1-40 |
| General | Panel Mount | Camper Trailer, Ute or Slide on Camper | | | | M4 | NA |

Accessories

- Combo Shovel (with D Handle)
- 2Kg (4lb) Fibreglass Handle Axe
- Threaded Aluminium Telescopic Light & Shower Pole
- Wire Light Holder

See over for **NON - OEM Rim & Tyre measuring instructions...**

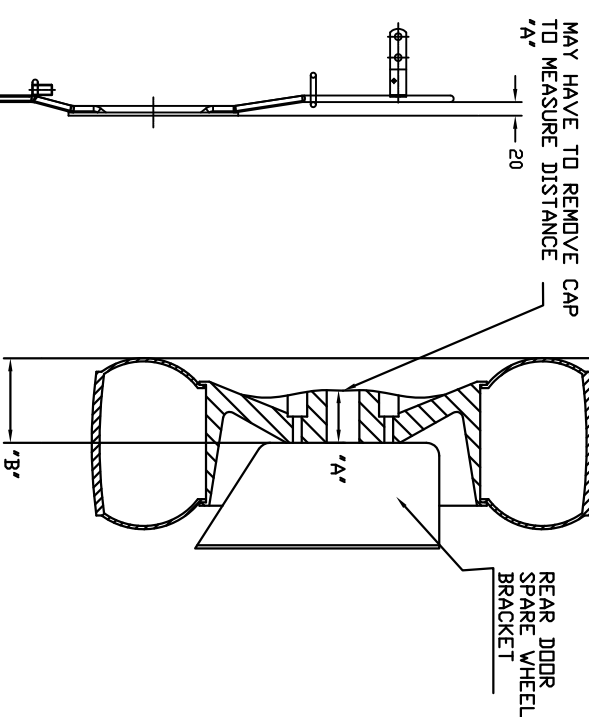
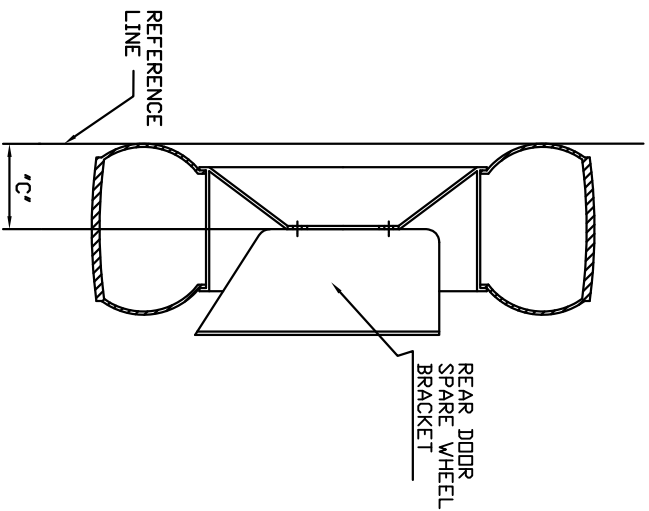
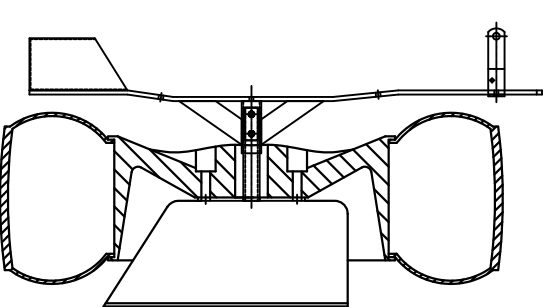
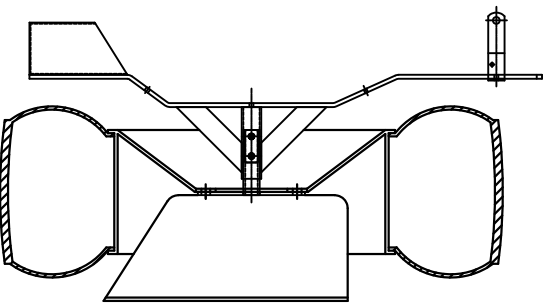
AXE AND SHOVEL HOLDER MEASURING INSTRUCTIONS

As you can appreciate, there are many different types and combinations of rims and tyres on the market.

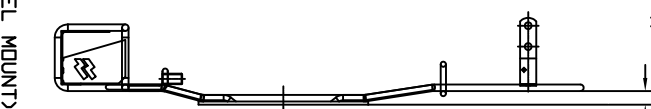
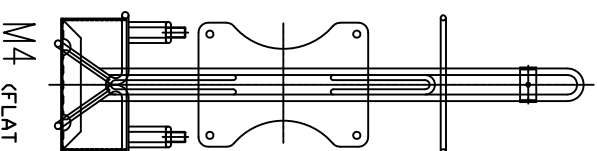
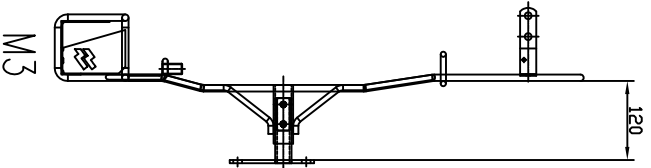
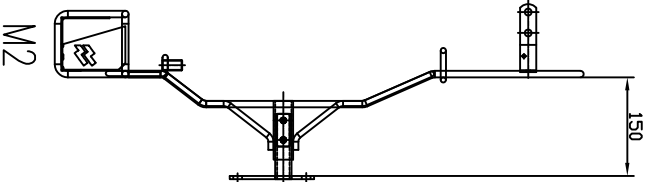
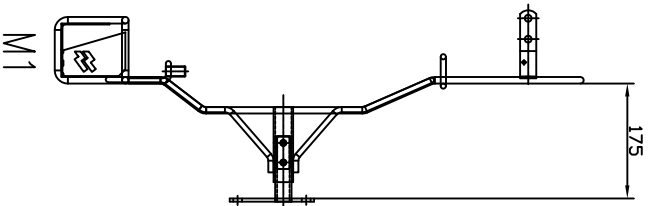
Therefore, it is necessary to measure your rim and tyre combination to select the best suited Axe and Shovel Holder for your Four Wheel Drive.

There are three models to choose from, the M1, M2 and M3, which will cover most rim off-set variations. The model type and mounting plate spigot length is determined by measuring dimensions 'A' and 'B' on alloy rims and dimension 'C' on steel rims.

If you run multiple rims and tyres, select the larger dimension in all cases.



STEEL RIM
 REQUIRE DIMENSION 'C'
 IN MILLIMETERS



OFF-SET MODELS AVAILABLE

ALLOY RIM
 REQUIRE DIMENSIONS
 'A' AND 'B'
 IN MILLIMETERS

REAR DOOR
 SPARE WHEEL
 BRACKET